

LEW-150

Pole Mount for E Series Cameras



Includes:

- Pole mount bracket *1
- M8x25 screw *4
- Wrench *1
- 80~150mm metal hoop: 3

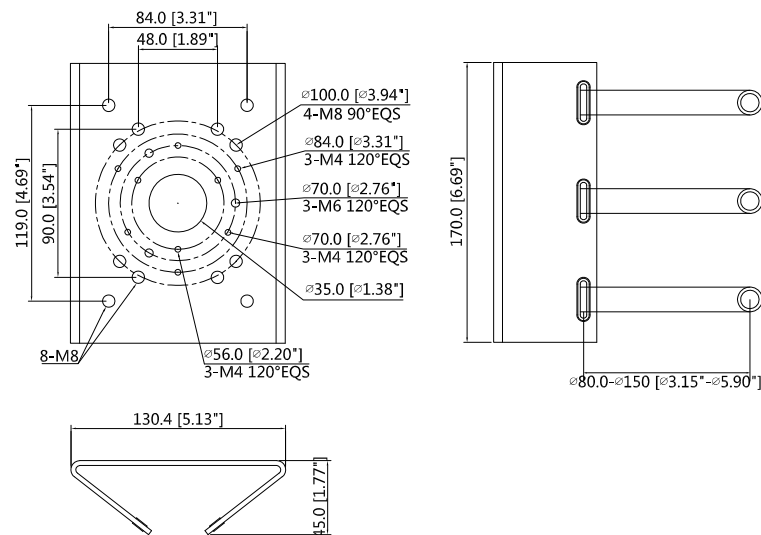
Features

- Material: SECC & SUS304
- Pole mount bracket
- Aesthetic design

Technical Specifications

Material	SECC & SUS304
Dimension (WxHxD)	130.4mmx170mmx45mm (5.13"x6.69"x1.77")
Mast Diameter	φ80~150mm (φ3.15"~5.91")
Pipe Thread	N/A
Operating Temperature	-40 °C~+60 °C (-40 °F~+140 °F)
Humidity	0~90% RH
Load Bearing	10kg(22.05lb)
Weight	1.1kg(2.43lb)

Dimensions (mm/inch)



Application

