

# NE8E1P8

## 8 CH Mini NVR W/ 8 PoE



### System Overview

This 8 channel NVR supports 4K and H.265 encoding technology with excellent performance at an affordable price. For applications where image details are highly required, it delivers the capability of 4K resolution processing. The NVR can be served as edge storage, central storage or backup storage with an intuitive shortcut operation menu for remote management and control. Due to its cost-effective and easy-to-install design, this NVR is ideal for a wide range of applications such as public safety, water conservancy, transportation, city centers, education, and financial institutions. The NVR is compatible with numerous third-party devices making it the perfect solution for surveillance systems that work independently of video management system (VMS). It features an open architecture that supports for multi-user access and is compatible with ONVIF 2.4 protocol, enabling interoperability with IP cameras.

### Features

#### Smart H.265+

Smart H.265+ technology is a collection of intelligent encoding algorithms based on H.265. To meet the characteristics of video surveillance, Smart H.265+ adopts some key video encoding techniques can be flexibly added/ deleted or combined according to different applications and products. Smart H.265+ codec can effectively enhance video encoding efficiency according to the characteristics of different surveillance environments; furthermore, it can greatly reduce transmission bit rate, storage capacity to improve the overall system.

#### 4K Technology

4K resolution is a revolutionary breakthrough in image processing technology. 4K delivers four times the resolution of standard HDTV 1080p cameras and offers superior picture quality and image details. 4K resolution improves the clarity of a magnified scene to view or record crisp forensic video from large areas.

- Smart H.265+/H.265/Smart H.264+/H.264
- Max 80Mbps Incoming Bandwidth
- Up to 8MP Resolution for Preview and Playback
- Up to 2ch@4K/8ch@1080P decoding
- HDMI/VGA simultaneous video output
- Support IPC UPnP, 8PoE ports



#### Intelligent Video System (IVS)

IVS system provides advanced, accurate video analytic for both IP and analog cameras. The IVS engine can track, classify and analyze the behavior of individual or group of objects over long distance to greatly improve parameter security and monitoring efficiency.

#### Automatic Network Replenishment Technology (ANR)

NVRs with the ANR function can automatically store video data on the IP camera storage card when the network is disconnected. After recovery of the network, the NVR automatically retrieves the video data stored on the camera.

## Technical Specification

### System

Main Processor	Quad-core embedded processor
Operating System	Embedded LINUX

### Audio and Video

IP Camera Input	8 Channel
Two-way Talk	1 Channel Input, 1 Channel Output, RCA

### Display

Interface	1 HDMI, 1 VGA
Resolution	HDMI: 3840×2160, 1920×1080, 1280×1024, 1280×720
	VGA: 1920×1080, 1280×1024, 1280×720
Decoding Capacity	2ch@4K(30fps)/8ch@1080P(30fps)
Multi-screen Display	8CH: 1/4/8/9
OSD	Camera title, Time, Camera lock, Motion detection, Recording

### Recording

Compression	Smart H.265+/H.265/Smart H.264+/H.264
Resolution	8Mp/ 6Mp/ 5MP/ 4MP/ 3MP/ 1080P/ 1.3MP/ 720P etc.
Record Rate	80Mbps
Bit Rate	16Kbps ~ 20Mbps Per Channel
Record Mode	Manual, Schedule (Regular, Continuous), MD (Video detection: Motion Detection, Tampering, Video Loss), Stop
Record Interval	1 ~ 120 min (default: 60 min), Pre-record: 1 ~ 30 sec, Post-record: 10 ~ 300 sec

### Video Detection and Alarm

Trigger Events	Recording, PTZ, Tour, Video Push, Email, Snapshot, Buzzer and Screen Tips
Video Detection	Motion Detection, MD Zones: 396 (22 × 18), Video Loss and Tampering
Alarm input	N/A
Alarm output	N/A

### Playback and Backup

Playback	8CH: 1/4/9
Search Mode	Time /Date, MD and Exact Search (accurate to second), Smart search
Playback Function	Play, Pause, Stop, Rewind, Fast play, Slow Play, Next File, Previous File, Next Camera, Previous Camera, Full Screen, Backup Selection, Digital Zoom
Backup Mode	USB Device/Network

## Third-party Support

Third-party Support	Arecont Vision, Airlive, AXIS, Canon, Dynacolor, JVC, LG, Panasonic, Pelco, PSIA, Samsung, Sanyo, Sony, Watchnet and more
---------------------	---

## Network

Interface	1 RJ-45 Port (10/100Mbps)
Ethernet Port	1 Independent 100Mbps Ethernet Port
PoE	8 Ports(IEEE802.3at/af)
Network Function	HTTP, HTTPS, TCP/IP, IPv4/IPv6, UPnP, RTSP, UDP, SMTP, NTP, DHCP, DNS, IP Filter, PPPoE, DDNS, FTP, SNMP, IP Search (Support Dahua IP camera, DVR, NVS, etc.), Easy4ip
Max. User Access	128 users
Smart Phone	iPhone, iPad, Android
Interoperability	ONVIF 2.4, SDK, CGI

## Storage

Internal HDD	1 SATA III Port, Up to 6 TB capacity for each HDD
HDD Mode	Single

## Auxiliary Interface

USB	2 ports(1 Rear USB2.0, 1 Front USB2.0)
RS232	N/A
RS485	N/A

## Electrical

Power Supply	DC48V/2A
Power Consumption	NVR: <8.3W (Without HDD)
	PoE: Max 25.5w for single port, 80w in total

## Environmental

Operating Conditions	-10°C ~ +55°C (+14°F ~ +131°F), 86 ~ 106kpa
Storage Conditions	-20°C ~ +70°C (-4°F ~ +158°F), 0 ~ 90% RH

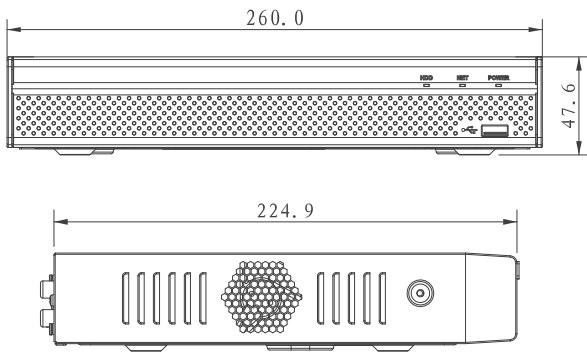
## Construction

Dimensions	Compact 1U, 260mm×224.9mm×47.6mm (10.2" x 8.9" x 1.9")
Net Weight	0.8kg (1.76 lb) (without HDD)
Gross Weight	1.6kg(3.53 lb)(without HDD)

## Certifications

CE	EN55032, EN55024, EN50130-4, EN60950-1
FCC	Part 15 Subpart B, ANSI C63.4-2014
UL	UL60950-1

## Dimensions (mm)



## Rear Panel

