

# PVE8E2W2-P/S/I/A

## 8MP Vandal Dome Camera



- 1/2.5" 8 MP progressive scan STARVIS CMOS
- H.265 & H.264 Triple-stream encoding
- 15fps@4K(3840×2160) & 25 to 30fps@3M(2304×1296)
- 1 Alarm Input & 1 Alarm Output
- 1 Audio Input & 1 Audio Output
- Maximum IR Distance up to 98 Feet

### System Overview

The PVE8E2W2-P/S/I/A is an 8MP (3840×2160) vandal dome camera with a 2.8mm fixed lens, and you can be confident that it will give you an image with enough detail to identify a perpetrator in any situation. This camera has some great software features including WDR (120db), Day/Night (ICR), 3DNR, AWB, AGC, and BLC. This camera is ONVIF, CGI, and PSIA compliant and can be used with any of our NVR recorders. With all these great hardware and software features on this camera, you will be very happy with the images you are recording in any situation.



### Features

#### ePoE technology

The ePoE technology adopts advanced 2D-PAM3 coding modulation from physical layer, and realizes full duplex transmission over 800 meters at the speed of 10Mbps, or 300 meters at the speed of 100Mbps via Cat 5 or coaxial cable media. It supports PoE and PoC power supply technology which has greatly simplified construction and wiring. ePoE technology offers a new way to accomplish long distance transmission between IP camera and network switch. It allows more flexible surveillance system design, improves reliability and saves construction and wiring cost.

#### WDR

When part of an image is extremely dark but another part is so bright you can't see any details, that's dynamic range, the difference in lighting. Cameras with wide dynamic range (WDR) have special software that allows them to balance that lighting for one clear image. This makes them ideal for recording areas like store entrances where the contrast between the sunshine outside and the dim lighting inside can be extremely difficult to record.

#### IVS

IVS system provides advanced, accurate video analytic for both IP and analog cameras. The IVS engine can track, classify and analyze the behavior of individual or group of objects over long distance to greatly improve parameter security and monitoring efficiency.

#### SMART H.265+

Smart H.265+ technology is a collection of intelligent encoding algorithms based on H.265. To meet the characteristics of video surveillance, Smart H.265+ adopts some key video encoding techniques can be flexibly added/deleted or combined according to different applications and products. Smart H.265+ codec can effectively enhance video encoding efficiency according to the characteristics of different surveillance environments; furthermore, it can greatly reduce transmission bit rate, storage capacity to improve the overall system.

#### Protection IP67 & IK10

This camera's outstanding reliability is unsurpassed due to its rugged design. The camera is protected against water and dust with an IP67 ranking, making it suitable for indoor or outdoor environments. The camera complies with an IK10 vandal resistance rating making it capable of withstanding the equivalent of 5 kg (11.02 lbs) of force, dropped from a height of 40 cm (15.75 in). Supporting  $\pm 30\%$  input voltage tolerance, this camera suits even the most unstable power supply conditions. Its 4KV lightning rating provides protection for the camera and its structure against the effects of lightning.

## Technical Specification

### Camera

Image Sensor	1/2.5" 8Megapixel progressive scan CMOS
Effective Pixels	3840(H)x2160(V)
RAM/ROM	512MB/32MB
Scanning System	Progressive
Electronic Shutter Speed	Auto/Manual, 1/3(4)~1/100000s
Minimum Illumination	0.03Lux/F2.5( Color,1/3s,30IRE) 0.3Lux/F2.5( Color,1/30s,30IRE) 0Lux/F2.5(IR on)
S/N Ratio	More than 50dB
IR Distance	Distance up to 30m (98ft)
IR On/Off Control	Auto/ Manual
IR LEDs	18

### Lens

Lens Type	Fixed				
Mount Type	Board-in				
Focal Length	2.8mm (4mm optional)				
Max. Aperture	F2.5 (F2.2)				
Angle of View	H:112° (88°), V:69° (48°)				
Optical Zoom	N/A				
Focus Control	Fixed				
Close Focus Distance	0.9m(1.7m)				
	Lens	Detect	Observe	Recognize	Identify
DORI Distance	2.8 mm	69m(226ft)	28m(92ft)	14m(46ft)	7m(23ft)

### Pan/Tilt/Rotation

Pan/Tilt/Rotation Range	Pan:0°~355°; Tilt:0°~64°; Rotation:0°~355°
-------------------------	--

### Intelligence

IVS	Tripwire, Intrusion, Object Abandoned/Missing
Advanced Intelligent Functions	Face Detection

### Video

Compression	H.265+/H.265/H.264+/H.264
Streaming Capability	3 Streams
Resolution	4K(3840×2160)/6M(3072×2048)/5M(2560×1920)/ 3M(2048×1536)/3M(2304×1296)/ 1080P(1920×1080)/1.3M(1280×960)/ 720P(1280×720)/D1(704×576/704×480) / VGA(640×480)/CIF(352×288/352×240)
Frame Rate	Main Stream: 4K(1~15fps)/3M(1~25/30fps) Sub Stream: D1(1~25/30fps) Third Stream: 1080P(1~25/30fps)
Bit Rate Control	CBR/VBR
Bit Rate	H.264: 24K ~ 10240Kbps H.265: 14K ~ 9984Kbps
Day/Night	Auto(ICR) / Color / B/W
BLC Mode	BLC / HLC / WDR(120dB)

White Balance	Auto/Natural/Street Lamp/Outdoor/Manual
Gain Control	Auto/Manual
Noise Reduction	3D DNR
Motion Detetion	Off / On (4 Zone, Rectangle)
Region of Interest	Off / On (4 Zone)
Electronic Image Stabilization (EIS)	N/A
Smart IR	Support
Defog	N/A
Digital Zoom	16x
Flip	0°/90°/180°/270°
Mirror	Off / On
Privacy Masking	Off / On (4 Area, Rectangle)

### Audio

Compression	G.711a/ G.711Mu/ AAC/ G.726
-------------	-----------------------------

### Network

Ethernet	RJ-45 (10/100Base-T)
Protocol	HTTP; HTTPS; TCP; ARP; RTSP; RTP; UDP; SMTP; FTP; DHCP; DNS; DDNS; PPPOE; IPv4/v6; QoS; UPnP;NTP; Bonjour; 802.1x; Multicast; ICMP; IGMP; SNMP
Interoperability	ONVIF, PSIA, CGI
Streaming Method	Unicast / Multicast
Max. User Access	10 Users /20 Users
Edge Storage	NAS Local PC for instant recording Mirco SD card 128GB
Web Viewer	IE, Chrome, Firefox, Safari
Management Software	Smart PSS, DSS, Easy4ip
Smart Phone	IOS, Android

### Certifications

Certifications	CE (EN 60950:2000) UL:UL60950-1 FCC: FCC Part 15 Subpart B
----------------	--

### Interface

Video Interface	N/A
Audio Interface	1/1 channel In/Out
RS485	N/A
Alarm	1 channel In: 5mA 5VDC 1 channel Out: 300mA 12VDC
Electrical	
Power Supply	DC12V, PoE (802.3af)(Class 0)
Power Consumption	<5.2W

## Technical Specification

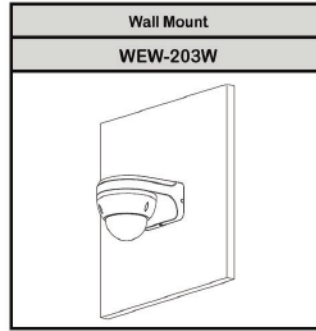
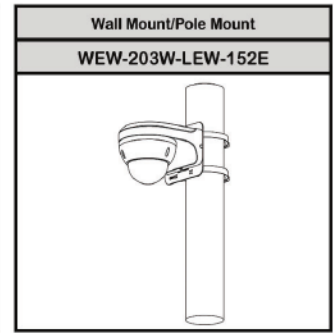
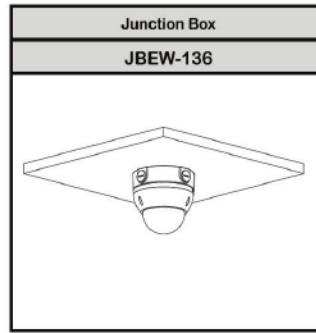
### Environmental

Operating Conditions	-40° C ~ +60° C (-40° F ~ +140° F) / Less than 95% RH
Storage Conditions	-40° C ~ +60° C (-40° F ~ +140° F) / Less than 95% RH
Ingress Protection	IP67
Vandal Resistance	IK10

### Construction

Casing	Metal
Dimensions	Φ109.9mm×81mm (4.33"×3.19")
Net Weight	0.41kg (0.91lb)
Gross Weight	0.53 kg (1.17lb)

## Accessories



## Dimensions

